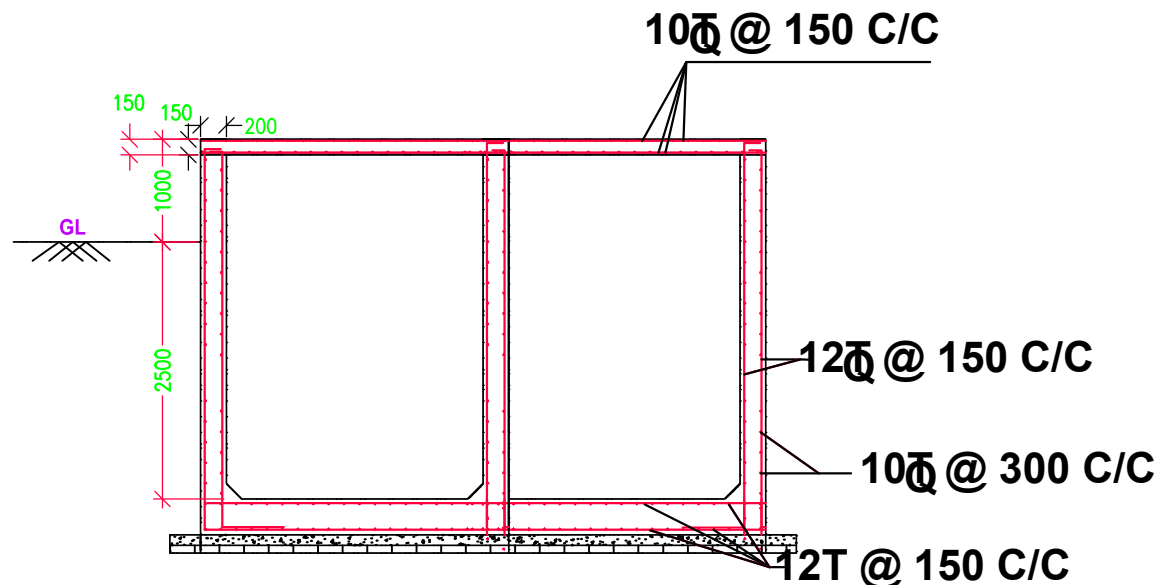
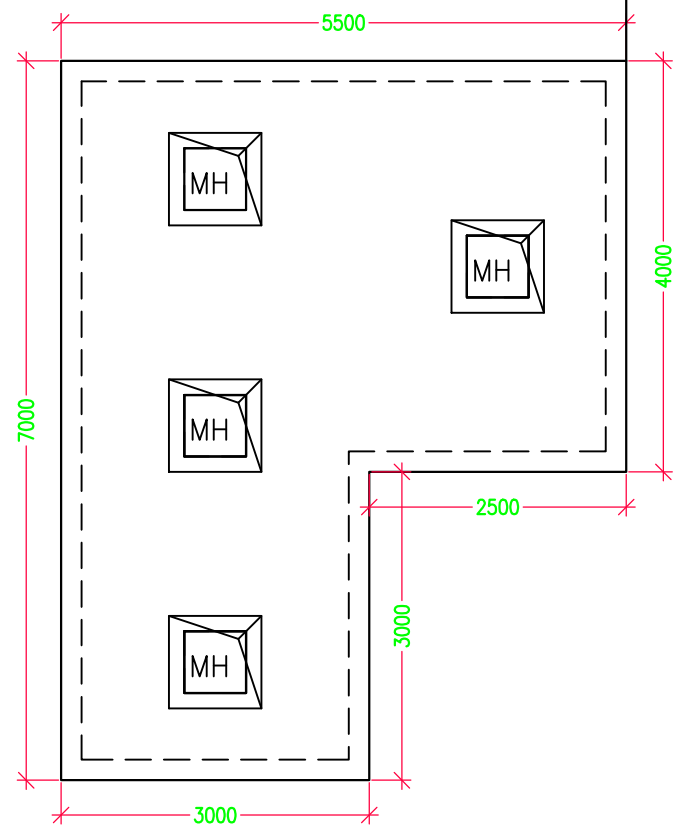


ELEVATION

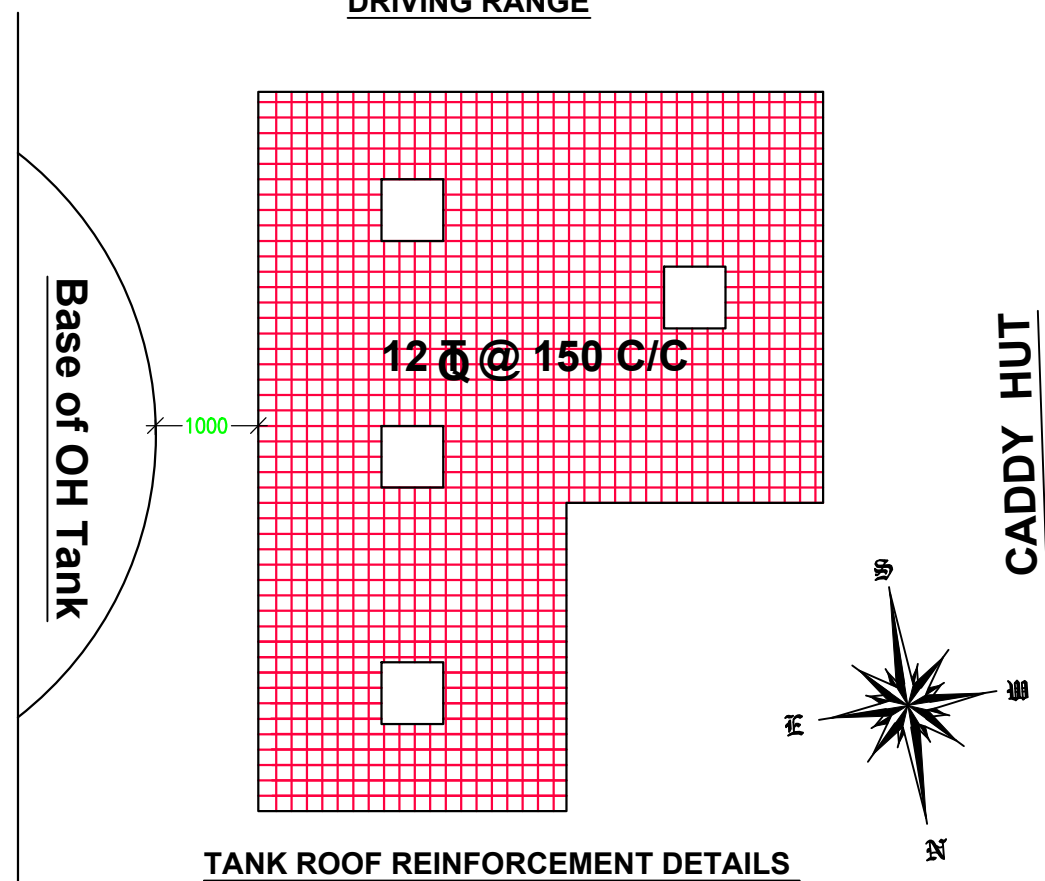


SECTIONAL ELEVATION



PLAN

DRIVING RANGE



TANK ROOF REINFORCEMENT DETAILS

TOLLYGUNGE CLUB LIMITED

Underground Reservoir for Drinking Water

at Overhead Tank Area

SUDIP KUMAR DHARA